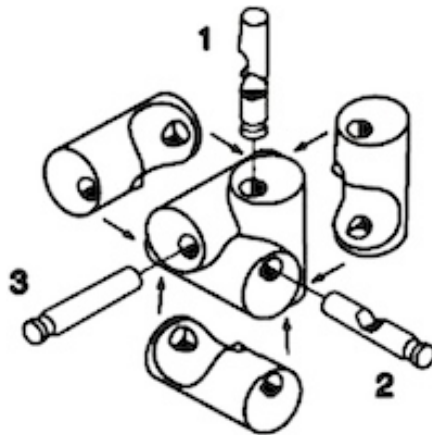


# Double Puzzle



*Designed by Charles O. Perry, 1989.*  
(three plastic pieces and 3 brass rods, 2 inches)

Separate the three plastic pieces from the three brass rods. Charles Perry is a well known architect and sculptor who has also designed some puzzles. The *Charles O. Perry Puzzles Page* shows a number of puzzles, including the *Double Puzzle Page* with a diagram of how it goes together:



## Further Reading

*Charles O. Perry Puzzle Page*, from: <http://www.charlesperry.com/puzzles>

*Double Puzzle Page*, from: <http://www.charlesperry.com/puzzles/double-puzzle>